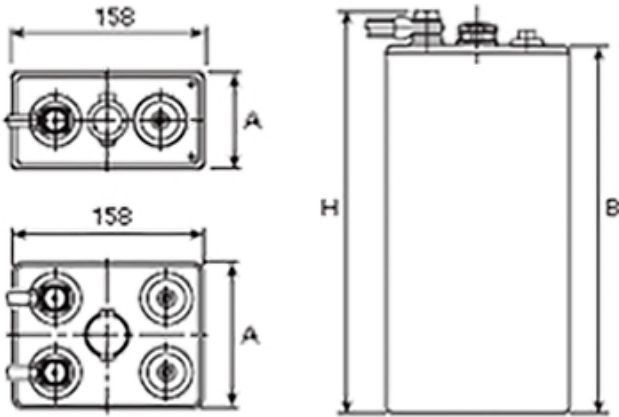


### 3 EPzV BS 183

#### Additional information



|                           |  |
|---------------------------|--|
| <b>Brand</b>              | <i>Pegasus</i>   |
| <b>Range</b>              | <i>British Standard – GEL<br/>– 2 Volt Cell</i>                                    |
| <b>Volts</b>              | 2  |
| <b>Number of plates</b>   | 3  |
| <b>Cap [C5 Ah]</b>        | 183  |
| <b>Weight</b>             | 13.4 kg  |
| <b>Length</b>             | 61 mm  |
| <b>Width</b>              | 158 mm   |
| <b>Height</b>             | 470 mm   |
| <b>Terminal Type</b>      | FM10   |
| <b>Technology</b>         | GEL  |
| <b>Guarantee/Warranty</b> | <i>PzV PzVBS Valve<br/>Regulated Batteries<br/>(1200 cycles, 3 years,<br/>1+2)</i> |

#### British Standard Standard 2 Volt Cells (GEL)

All our traction battery cells come in 3 formats, GEL Standard being one of them. These cells are all the same width with multiple height, length & weight specifications to enable a perfect fit for a range of standard & renewable/green applications.

