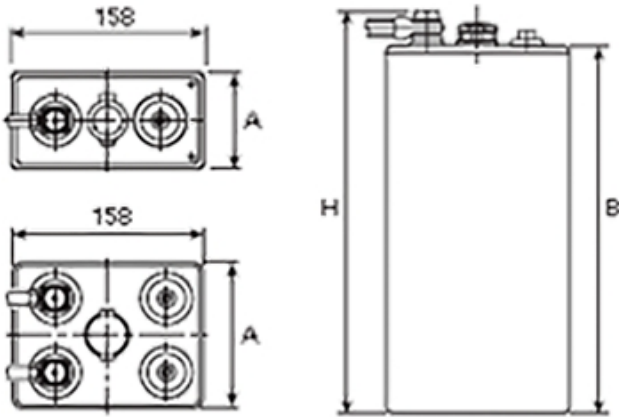


## 5 EPzB 250

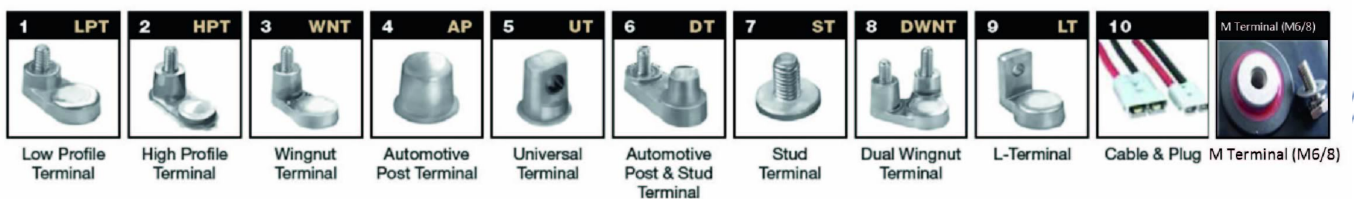
### Additional information



|                           |  |
|---------------------------|--|
| <b>Brand</b>              | <i>Pegasus</i>   |
| <b>Range</b>              | <i>British Standard – Wet Vented 2 Volt Cell</i>                               |
| <b>Volts</b>              | 2  |
| <b>Number of plates</b>   | 5  |
| <b>Cap [C5 Ah]</b>        | 250  |
| <b>Weight</b>             | 15.7 kg  |
| <b>Length</b>             | 93 mm  |
| <b>Width</b>              | 158 mm   |
| <b>Height</b>             | 355 mm   |
| <b>Terminal Type</b>      | FM10   |
| <b>Technology</b>         | WET – tubular plate  |
| <b>Guarantee/Warranty</b> | BSH Vented British Standard (BS) and DIN Batteries (1500 cycles, 4 years, 3+1) |

### British Standard 2 Volt Cells

All our traction battery cells come in 3 formats, British Standard (often seen written as BS) being one of them. These cells are all the same width with multiple height, length & weight specifications to enable a perfect fit for a range of applications.



For sales & service throughout the UK & Ireland, please contact Battery Service Hub Ltd  
tel | 01858 433008 fax | 01858 433563 email | [info@batteryservicehub.com](mailto:info@batteryservicehub.com)  
website | [www.batteryservicehub.com](http://www.batteryservicehub.com)

Battery Service Hub Ltd, Pegasus House, Riverside End, Market Harborough, Leicestershire, LE16 7PU, United Kingdom