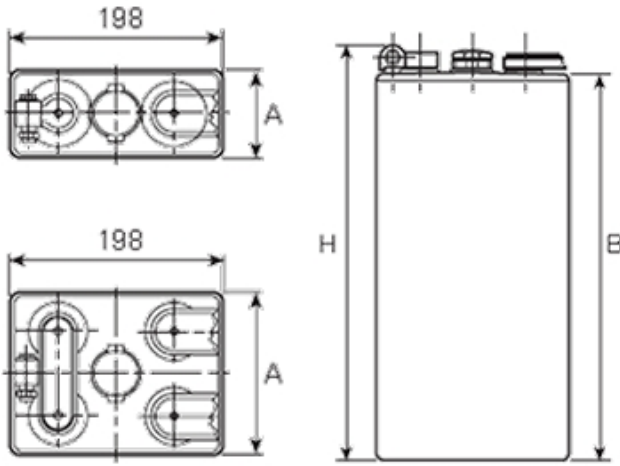


2 Volt Battery: 8 EPzV 800

Additional information



| | |
|---------------------------|--|
| Brand | <i>Pegasus</i> |
| Range | <i>DIN Standard – GEL – 2 Volt Cell</i> |
| Volts | 2 |
| Number of plates | 8 |
| Cap [C5 Ah] | 800 |
| Weight | 54 kg |
| Length | 155 mm |
| Width | 198 mm |
| Height | 553 mm |
| Terminal Type | FM10 |
| Technology | GEL |
| Guarantee/Warranty | <i>PzV PzVBS Valve Regulated Batteries (1200 cycles, 3 years, 1+2)</i> |

DIN Standard 2 Volt Cells (GEL)

All our traction battery cells come in 3 formats, GEL Standard being one of them. These cells are all the same width with multiple height, length & weight specifications to enable a perfect fit for a range of standard & renewable/green applications.



For sales & service throughout the UK & Ireland, please contact Battery Service Hub Ltd
tel | 01858 433008 fax | 01858 433563 email | info@batteryservicehub.com
website | www.batteryservicehub.com

Battery Service Hub Ltd, Pegasus House, Riverside End, Market Harborough, Leicestershire, LE16 7PU, United Kingdom