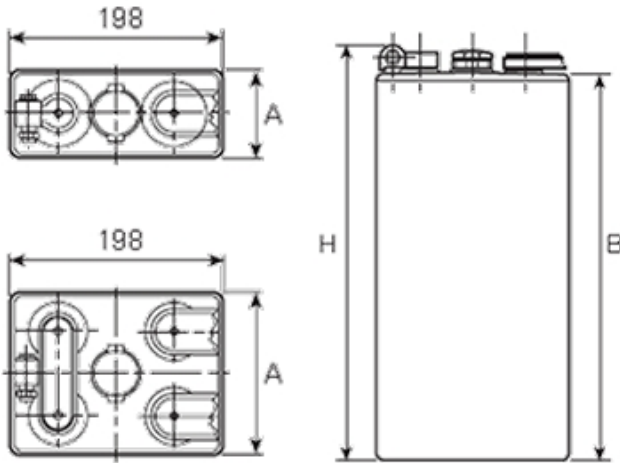


9 EPzS 630

Additional information



| | |
|---------------------------|---|
| Brand | <i>Pegasus</i> |
| Range | <i>DIN Standard – Wet Vented 2 Volt Cell</i> |
| Volts | 2 |
| Number of plates | 9 |
| Cap [C5 Ah] | 630 |
| Weight | 37.5 kg |
| Length | 173 mm |
| Width | 198 mm |
| Height | 365 mm |
| Terminal Type | FM10 |
| Technology | <i>WET – tubular plate</i> |
| Guarantee/Warranty | <i>BSH Vented British Standard (BS) and DIN Batteries (1500 cycles, 4 years, 3+1)</i> |

DIN Standard 2 Volt Cells

All our traction battery cells come in 3 formats, DIN Standard being one of them. These cells are all the same width with multiple height, length & weight specifications to enable a perfect fit for a range of applications.



For sales & service throughout the UK & Ireland, please contact Battery Service Hub Ltd
tel | 01858 433008 fax | 01858 433563 email | info@batteryservicehub.com
website | www.batteryservicehub.com

Battery Service Hub Ltd, Pegasus House, Riverside End, Market Harborough, Leicestershire, LE16 7PU, United Kingdom